

Eco Industrial Supplies



Asymmetrical Recessed LED stair and wall washer light



www.ecoindustrialsupplies.com
ecoindustrial@internode.on.net



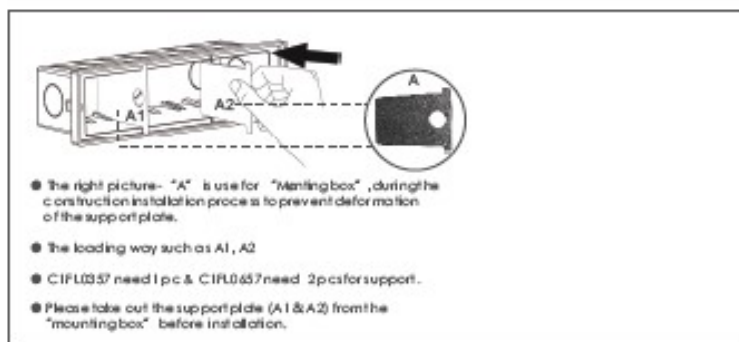
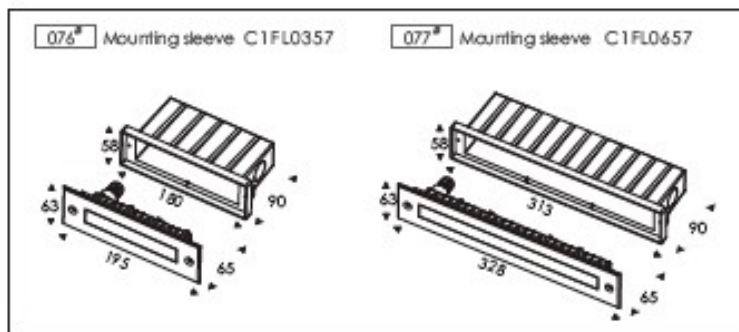
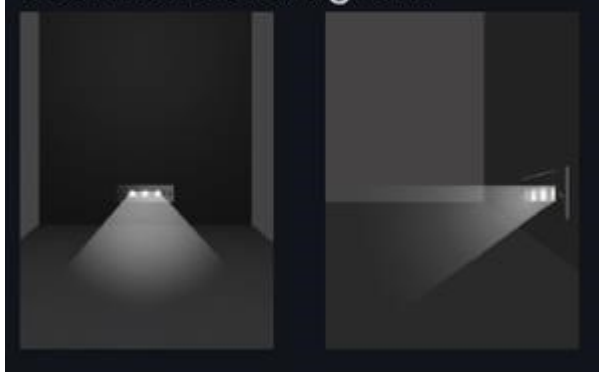
C1FL0357



C1FL0657



Beam effect diagram



Material specifications

Housing	12" Die-casting grey powder coated aluminum T=60-80um Adhesion of ISO class 1/ASTM class 4B
Front cover	Stainless steel SUS 316L#
Glas	Step tempered glass, T=8mm
Cable gland	IP-67 PG-9 PVC
Gasket	Tongue shaped seal
Driver	Constant current output
Operating temperature	-20° C-40° C
Power Cable	HO5RN-F 2X1.0mm ² L=0.5m(1' w voltage) HO5RN-F 3X1.0mm ² L=0.5m(high voltage)
Mounting sleeve	PVC

Item No.	Light source	Lens	Lens degree selected by manufacturer (θ1/2)	Input voltage(V)	Typical operating current [mA]	Typical consumption(W)	Typical luminance [lm]	IK rate
C1FL0357	3x2W SMD3535	C11	45 35	24VDC 120/240	24V=400 120V=100 240V=58	24V=5.7 120V=6.3 240V=6.7	Cool white=400 Warm white=285	08
C1FL0657	6x2W SMD3535	C11	45 35	24VDC 120/240	24V=400 120V=100 240V=57	24V=10.5 120V=11.8 240V=12.1	Cool white=875 Warm white=570	08