

LED FLOOD LIGHT SERIES



400W LED FLOOD LIGHT

Product Manual

I . Introduction

Materials

Patented fin aluminium heatsink structure; High quality aluminium processing technique; Special surface treatment process; High brightness LED light source, high efficiency and long life power supply.

Applications

Suitable for Warehouses, Production and logistics workshops, Retail stores, Theme restaurants, Amusement parks, Indoor stadiums and public places, and other industrial and commercial lighting purposes.

Features

- * Unique patented thermal management design to ensure low LED junction temperature.
- * Extremely light weight for safety use and installation.
- * Ultra high power to give ultra high brightness.
- * Easy installation and maintenance, dust prevention, longer lifetime with high lumen maintenance.
- * Energy savings, no UV and IR radiations, emits low heat.

Structure

* Unique fin aluminium heatsink greatly reduce product weight and guarantee the safety usage, as well as to avoid the material wastage comparing with conventional die-cast or extrusion heatsinks.

* By increasing the number of fins to enlarge the area of heat dissipation and air flow, this new heatsink significantly increase the efficiency of thermal conduction with less material usage and more saving on energy. It is the best solution of LED flood lights.

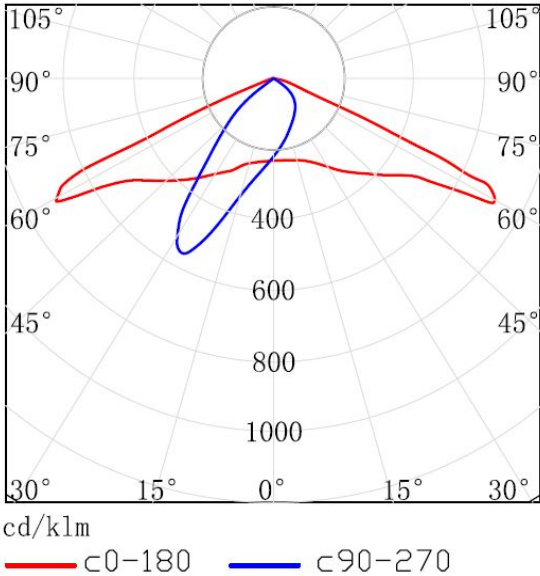
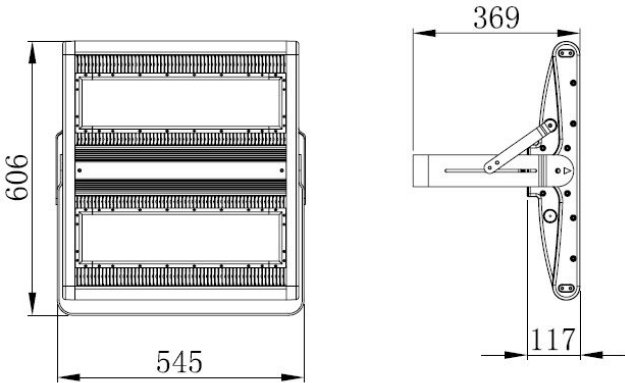
II . Specification

1、 400W LED Flood Light Main Parameters:

Input Voltage		90-305 VAC, 50/60 Hz
LED Light Source		CREE
LED Qty		200 pcs
LED Power		400W
Total System Power		440W
Led Luminous Efficiency		110-130 lm /W
Led Initial Luminous Flux		44000 Lm
Average Illuminance (85°x135° lens)	6M	644 lux
	8M	286 lux
	10M	161 lux
Illuminance Area (85°x135° lens)	6M	7.3x19.3M
	8M	10.9x28.9M
	10M	14.6x38.6M
Illuminance Uniformity		>0.8
Color Temperature		3000K-7000K
Color Rendering Index		Typ. 70
Light Distribution		Asymmetric / rectangular
Illuminance Design		LED+Lens
LED Junction Temperature		≤70℃ (@ Ta=25℃)
Working Temperature		-40℃ ~ 45℃
Storage Temperature		-40℃ ~ +65℃ (Best 25℃)
IP Rating		IP65
Net weight		19.0 Kg
Life-span		>50000H
Power Cord		0.75mm ² triple shield wire
Connecting Wire	Brown	L live
	Blue	N Neutral
	Yellow/Green	G Earth
Certificate		CE ; RoHS ; UL (Power supply only)
Light Fixture Color		Black

Remark: The light parameters may different between different color temperature, tolerances $\leq 5\%$.

2、 Product Dimension & Photometric Distribution:



III. Installation Guideline

1. Take out the lamp from packing box.
2. Fix the light on mounting frame and keep stable placement. For safety, make sure the power cables are connected by electricians. The power cord is 0.75-1MM2 three-core cable wiring, the brown is live wire, blue is neutral wire, and yellow/green is earth wire.

Maintenance / Repairing Instructions:

- 1、 Make sure the power has been turned off before maintenance or repairing.
- 2、 Clean the glass cover regularly to maintain high transmission of light.
- 3、 Clean up the dust from the glass cover and heatsink regularly to keep sound heat dispersion.
- 4、 Be careful not to use water or corrosive solution for cleaning, preferably with a dry cloth.
- 5、 When install or replace power supply, directly open the back cover with a screwdriver, then remove the power supply.

On DC power output, the red cable corresponds to the positive power polarity, and black corresponds to the negative. Pay attention do not reverse the positive and the negative in any circumstance.

IV. Package

1、 Packing Size, weight.

Lamp packing size(W ,L,H) /1pc	640x560x250 mm
Lamp net weight	19.0 kg
Lamp gross weight (1pc/carton)	20.5 kg